

DIRECT ACTING SOLENOID VALVES



2 / 2 Direct acting normally closed valve

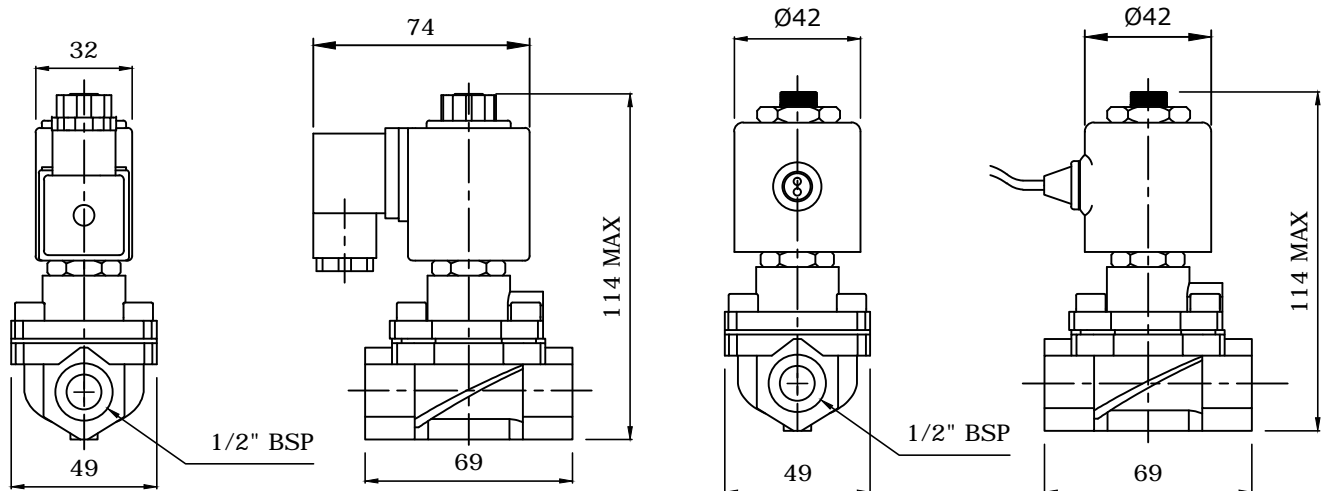
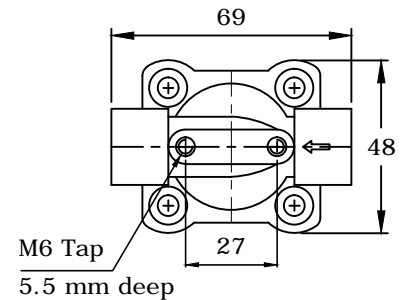
Features :

- This valve uses diaphragm seal structure.
- Adopts zero differential pressure as starting function.
- Has simple structure & large flow rate.
- Easy maintenance & good waterproofing performance.
- Provide multiple wiring direction.



Technical Specifications :

Model	K-DV-G12				
Medium	Compressed air- Filtered, Lubricated, Water, Inert gas				
Port Size	G1/2 BSP (F)				
Ambient / Medium temp	5° - 60° C				
Orifice (NW)	12				
Operating pressure (bar)	2 - 10				
Flow rate (Ltr / Min)	4000				
Electrical					
Voltage (V) ± 10%	AC			DC	
	24	110	230	12	24
Power Consumption (W)	6			8	
Duty Cycle	Continuous				
Type of coil protection	IP65				
Class of insulation	Class - F				
Materials of construction	Aluminium, Brass, Stainless Steel				



Manufactured by :

Kushako India

Office : 490, Narayan Peth, Opp. Pune Marathi Granthalaya, Pune - 411030. (Maharashtra), Website : www.kushakoindia.com

Works : Sr.No. 25/1A, Village Nanded, Sinhgad Road, Tal - Haveli, Dist. Pune -411041

Tel. No : 901169077 / 7620674777

E-mail : kushako.india@gmail.com / kushakoindia1992@gmail.com

